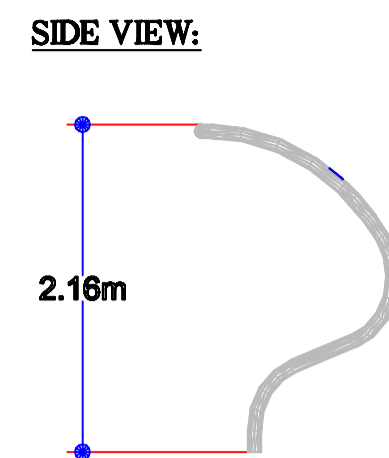
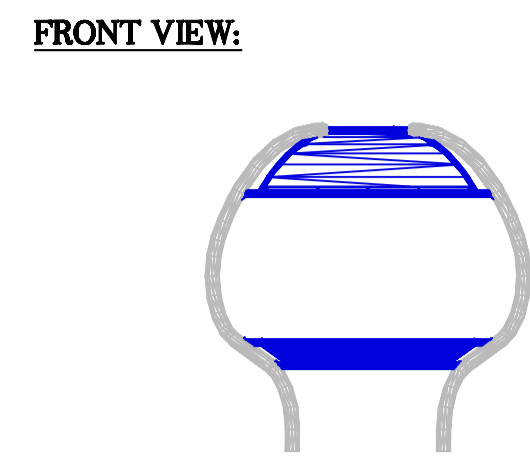
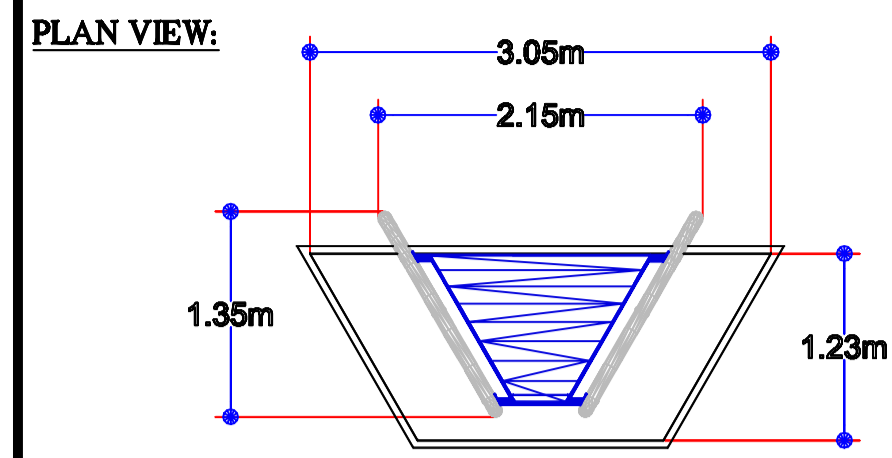
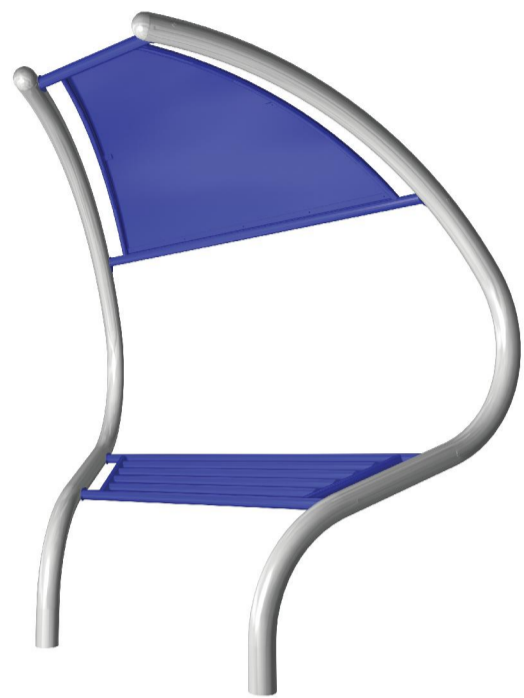


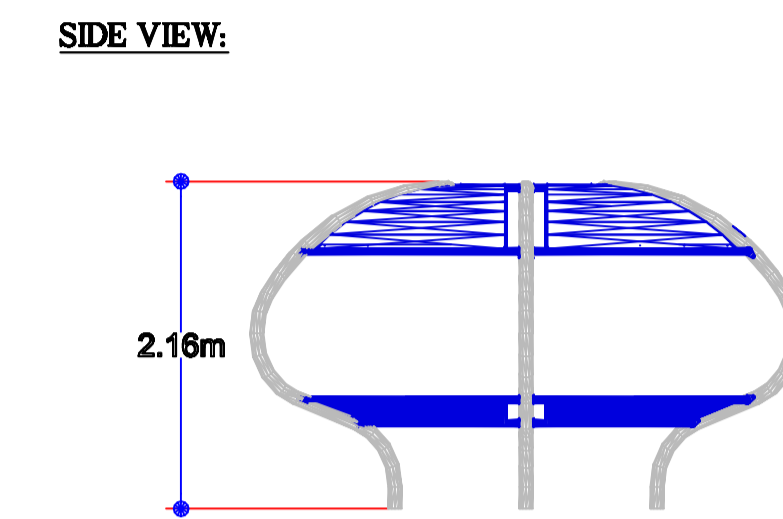
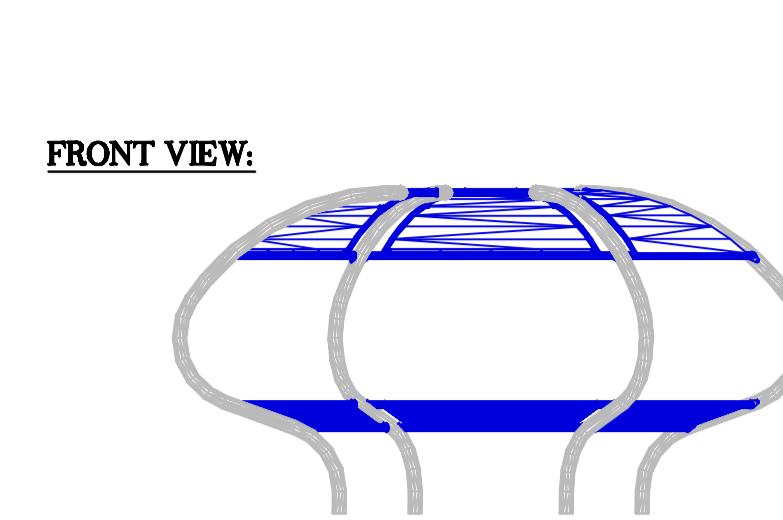
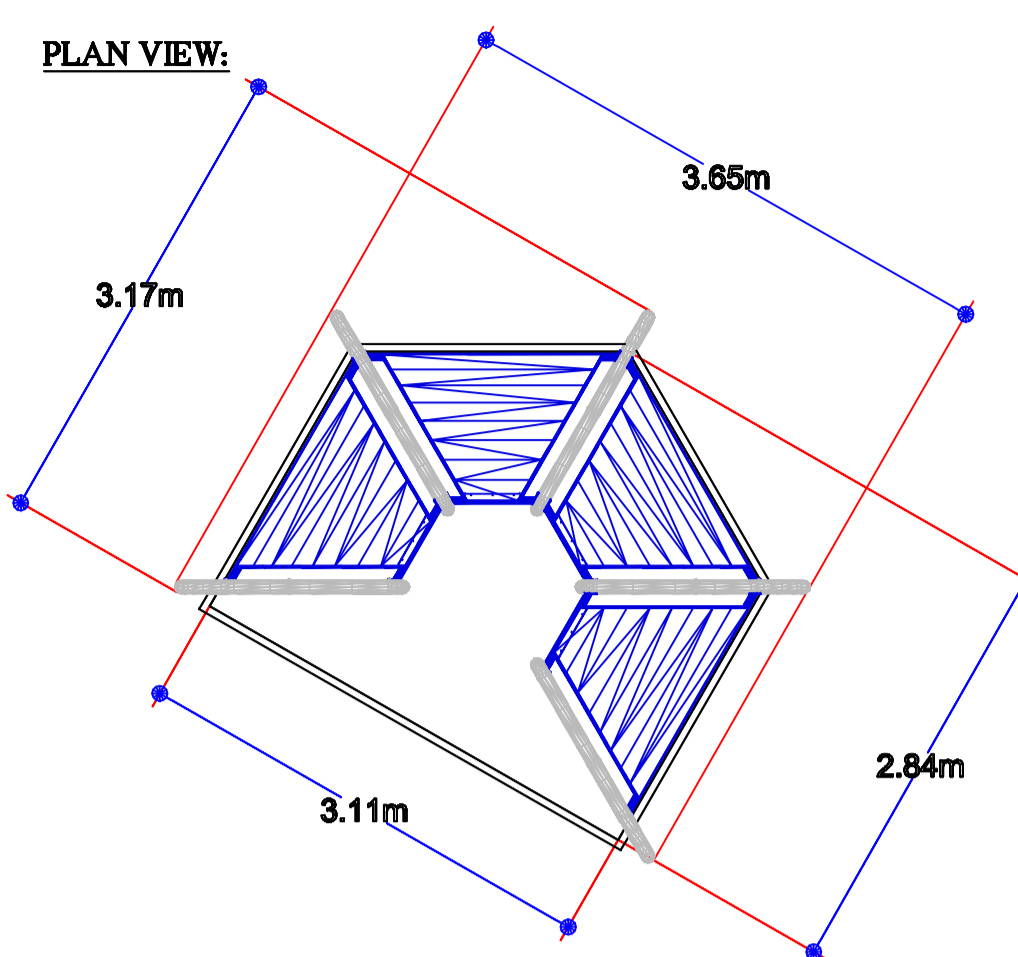
1 SECTION MEETING POINT (MPSEATS1)



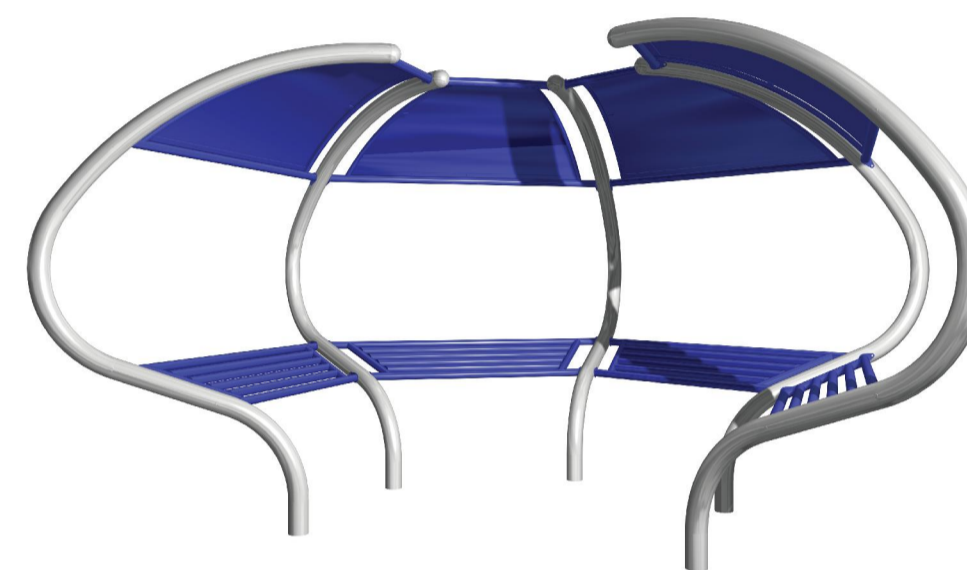
SUGGESTED MINIMUM TARMAC AREA - 3 Sq. Mtrs.
P.C.C. EDGING - 8 Mtrs.



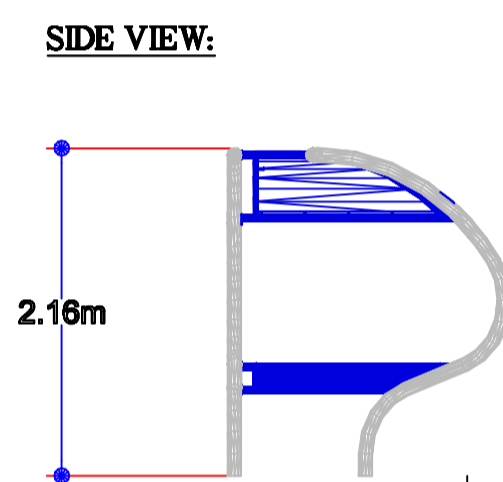
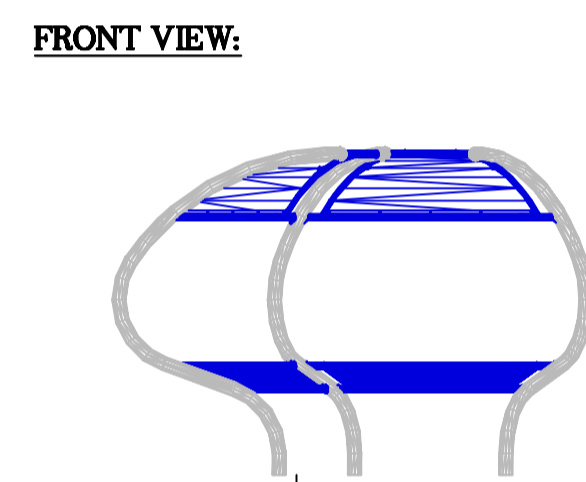
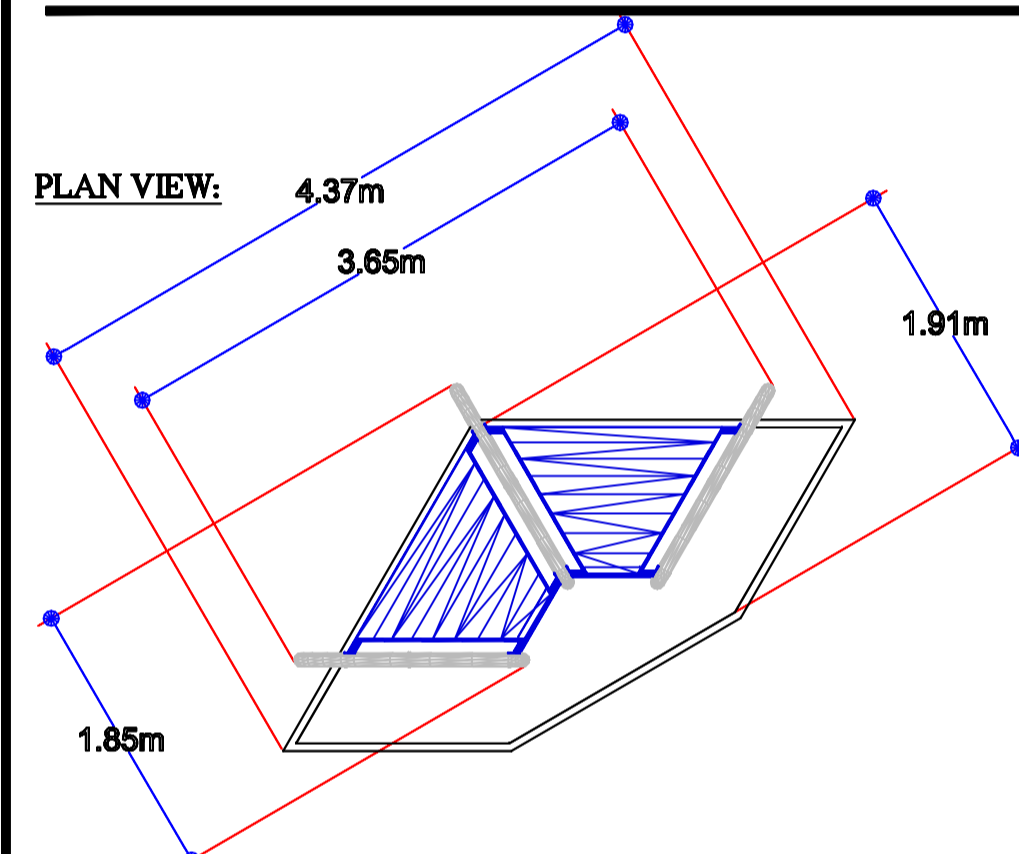
4 SECTION MEETING POINT (MPSEATS4)



SUGGESTED MINIMUM TARMAC AREA - 7.5 Sq. Mtrs.
P.C.C. EDGING - 11 Mtrs.



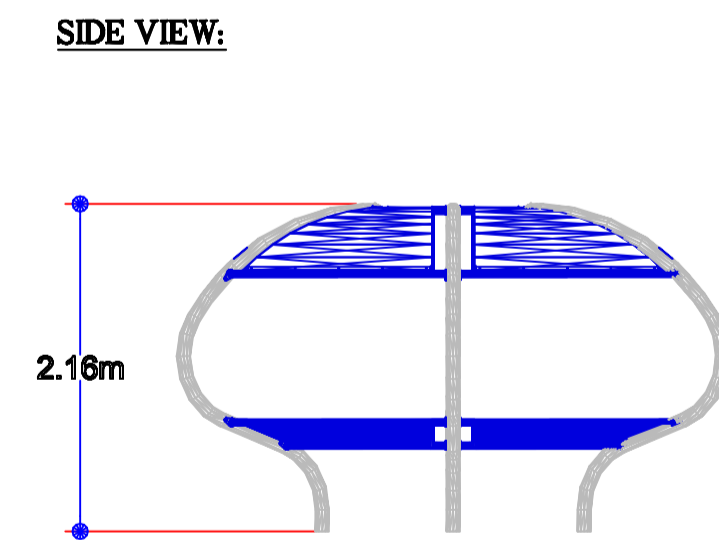
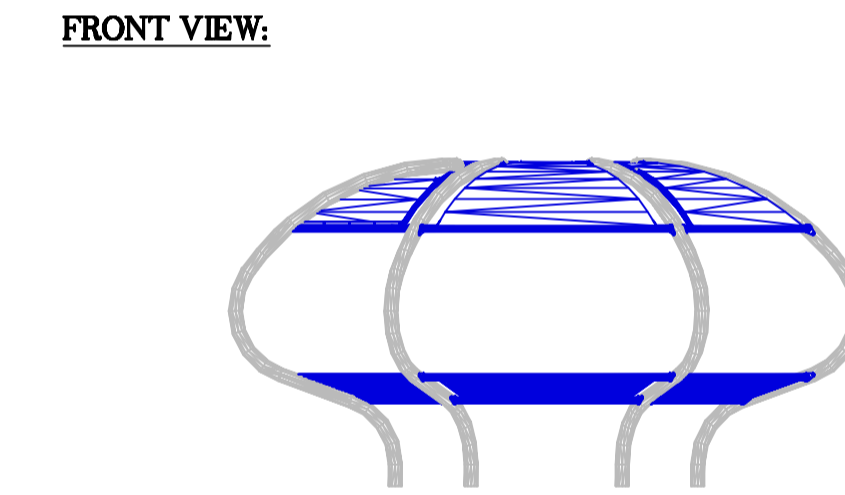
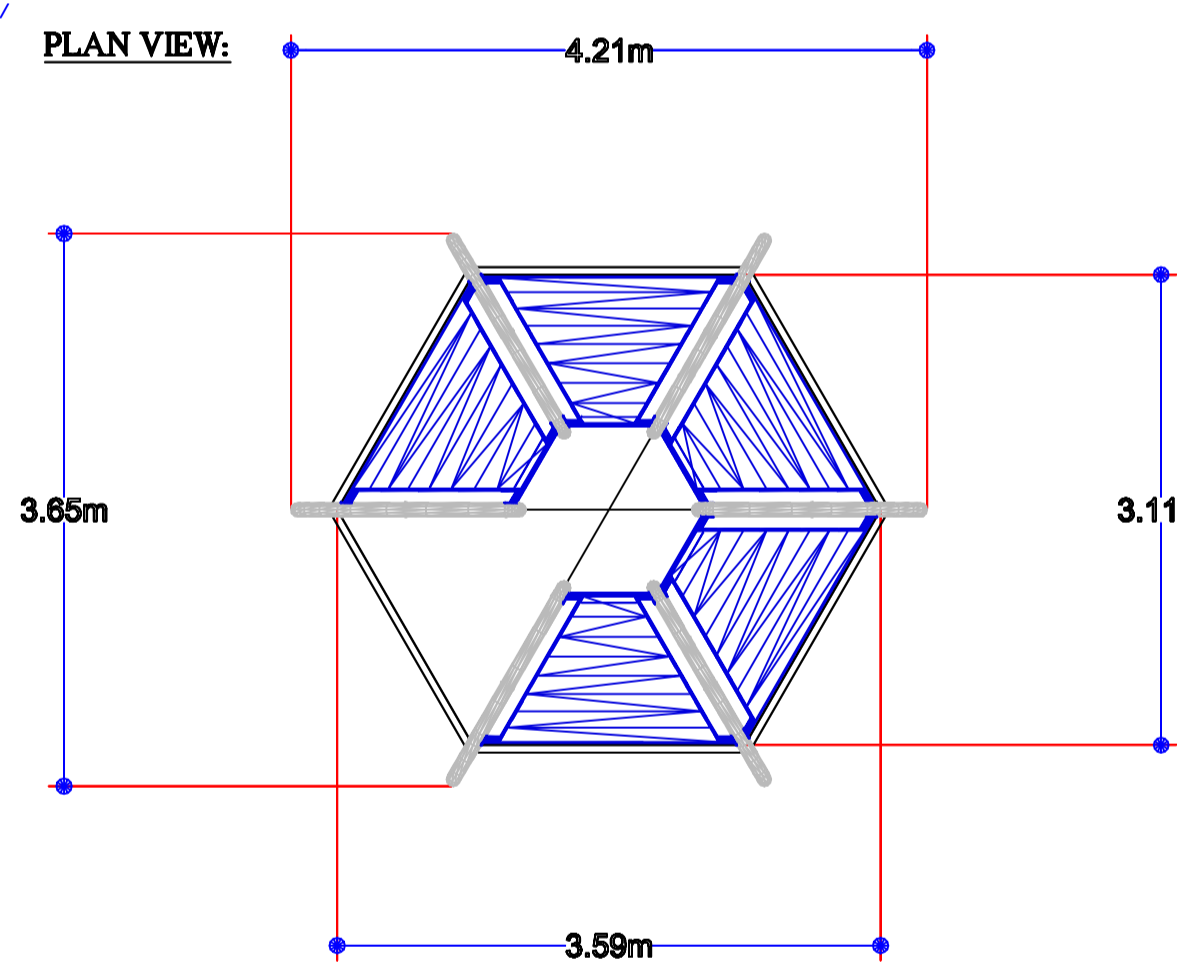
2 SECTION MEETING POINT (MPSEATS2)



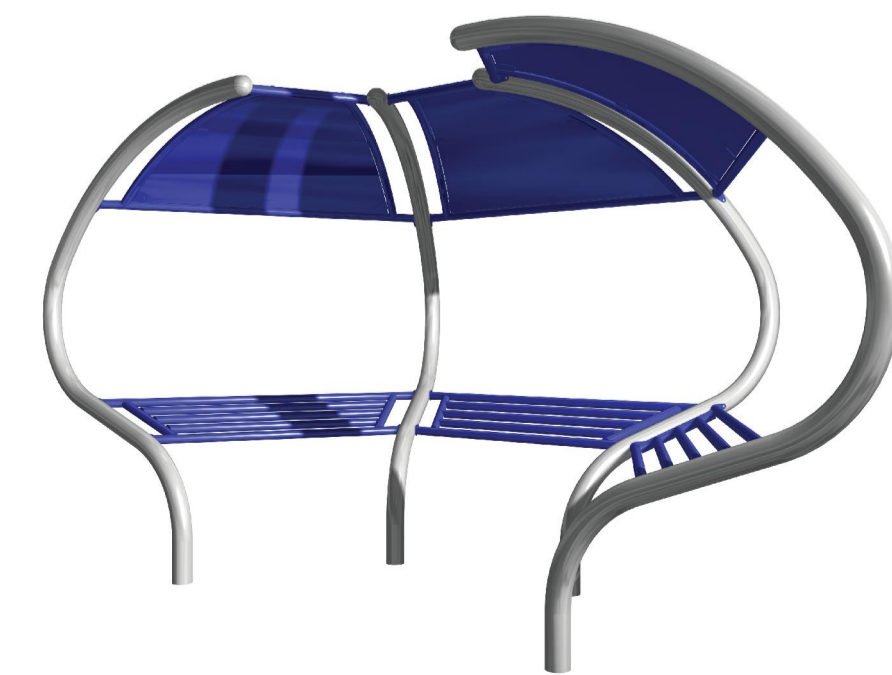
SUGGESTED MINIMUM TARMAC AREA - 5 Sq. Mtrs.
P.C.C. EDGING - 10 Mtrs.



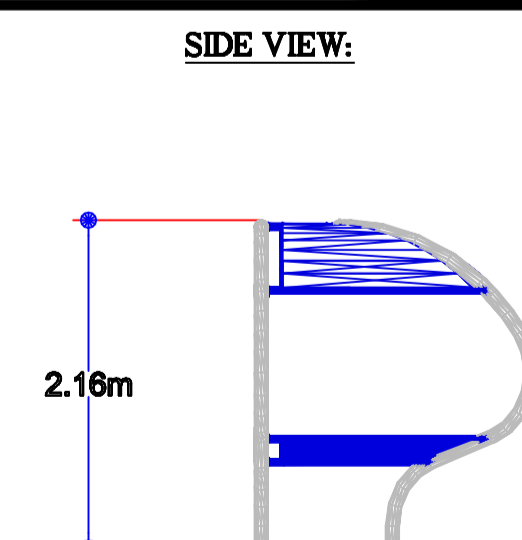
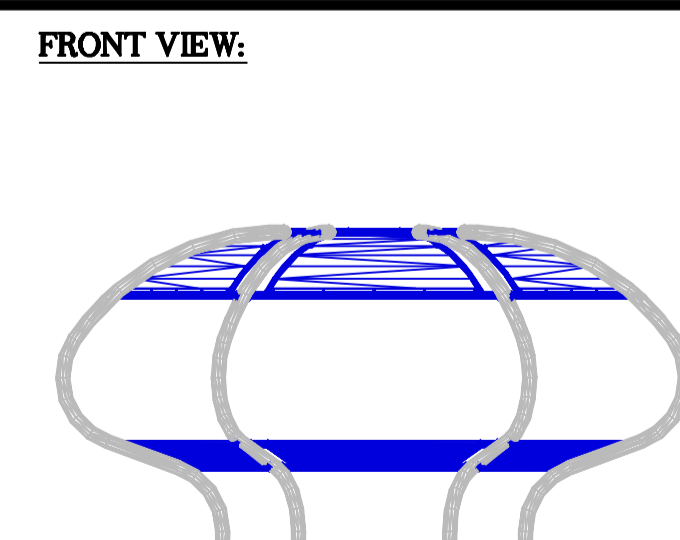
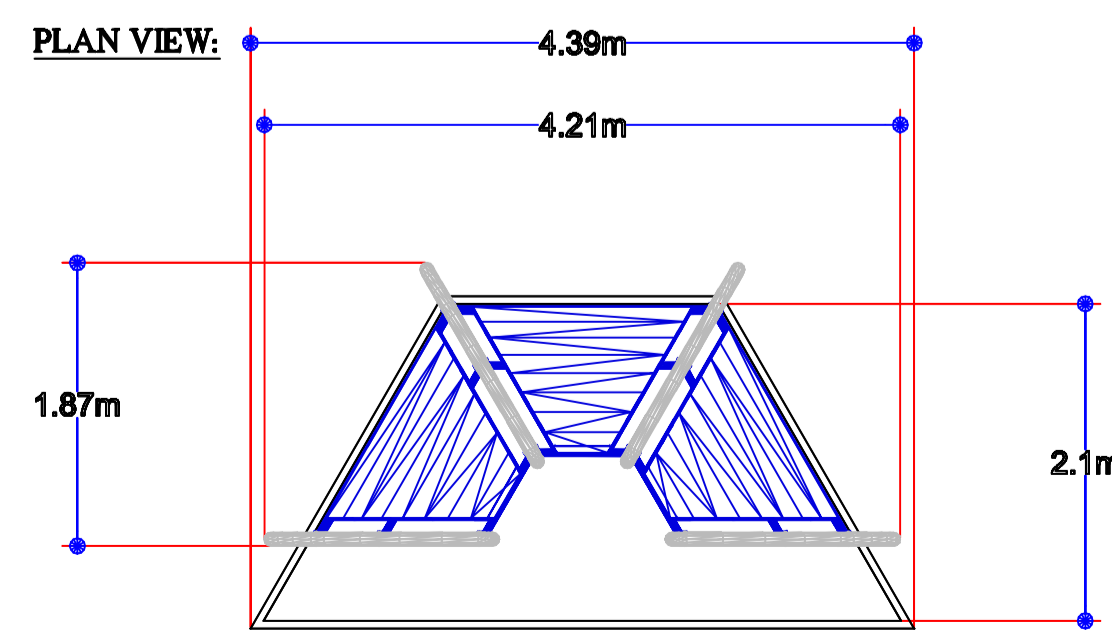
5 SECTION MEETING POINT (MPSEATS5)



SUGGESTED MINIMUM TARMAC AREA - 8.5 Sq. Mtrs.
P.C.C. EDGING - 11.5 Mtrs.



3 SECTION MEETING POINT (MPSEATS3)



SUGGESTED MINIMUM TARMAC AREA - 6.5 Sq. Mtrs.
P.C.C. EDGING - 11.5 Mtrs.

NOTES

REVISION		
26/01/98	ORIGINAL	ISSUE A
03/02/00	AMENDMENT BY A.I. CHK BY J.C. BORDER UPDATED.	ISSUE B
12/06/02	AMENDMENT BY J.C. CHK BY A.Y. DIMENSIONS AND ISO VIEWS ADDED. BORDER UPDATED.	ISSUE C
10/01/06	AMENDMENT BY C.P.S. CHK BY J.C. MEETING POINTS UPDATED TO 2005 SPEC.	ISSUE D
12/01/07	AMENDMENT BY N.B. CHK BY J.C. SHEETS 2 + 3 ADDED. POLY SEAT OPTION & OPTIONAL BACK PANEL OPTION SHOWN.	ISSUE E

CUSTOMER

PROJECT

TITLE
ARENA MEETING POINTS
STEEL SEAT OPTION

SMP (Playgrounds) Ltd
Ten Acre Lane
Thorpe, Egham
Surrey
TW20 8RD
United Kingdom
Telephone
+44 (0) 1784 489100
Facsimile
+44 (0) 1784 431079
email: sales@smp.co.uk
Website: www.smp.co.uk

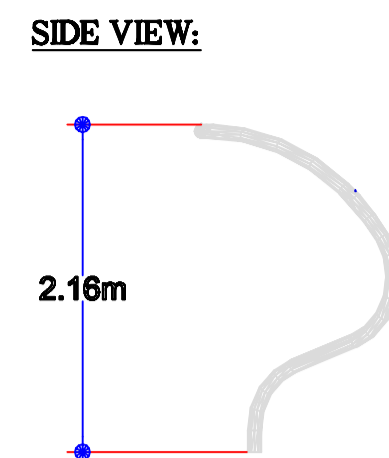
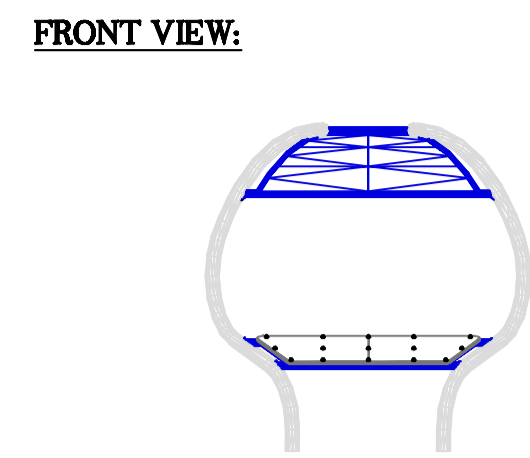
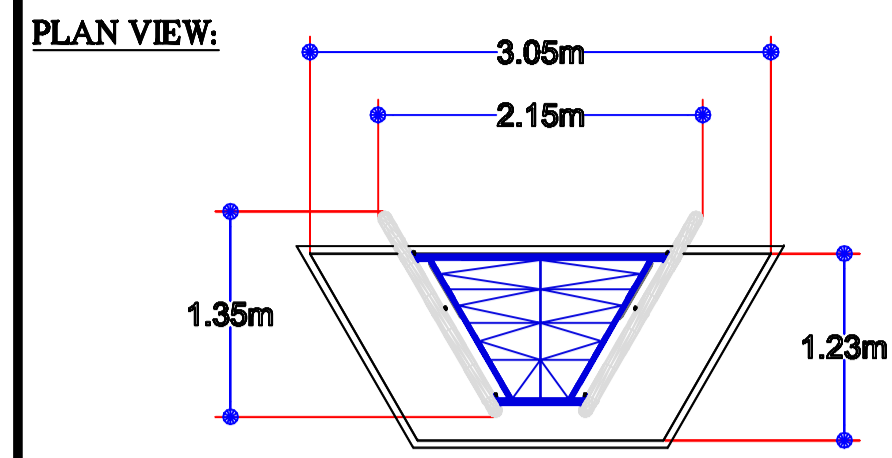
SMP RECOMMEND THE PROVISION OF IMPACT ABSORBING SURFACING BENEATH ALL PLAY EQUIPMENT



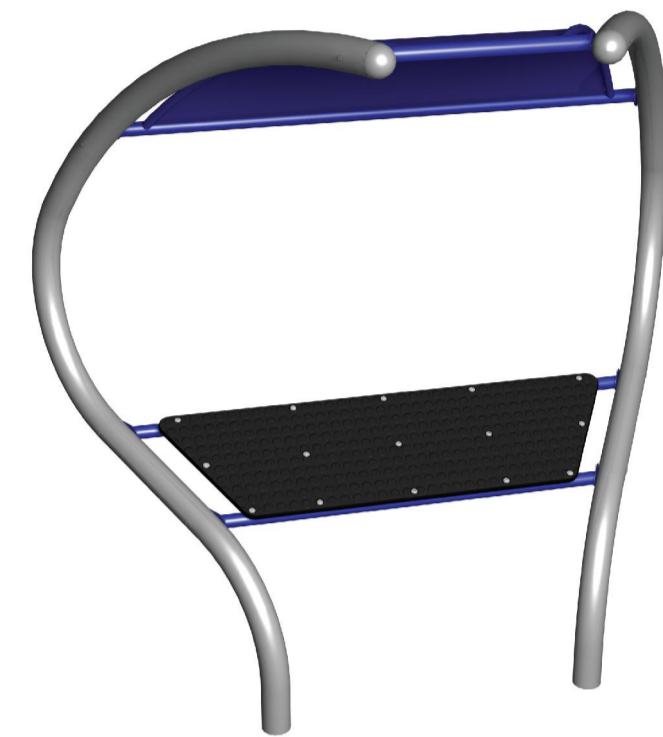
DATE 26/01/98 SCALE 1:50
DRAWN BY : J.B. CHECKED BY : J.C.

DRAWING No. 20370 ISSUE E

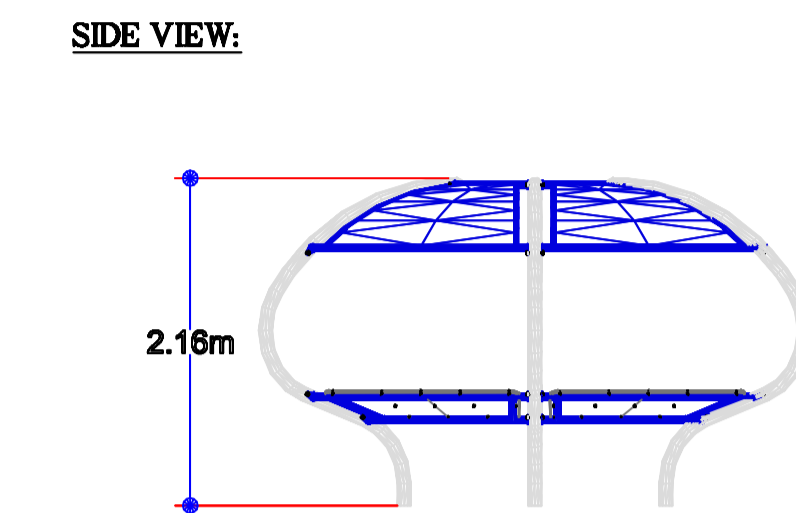
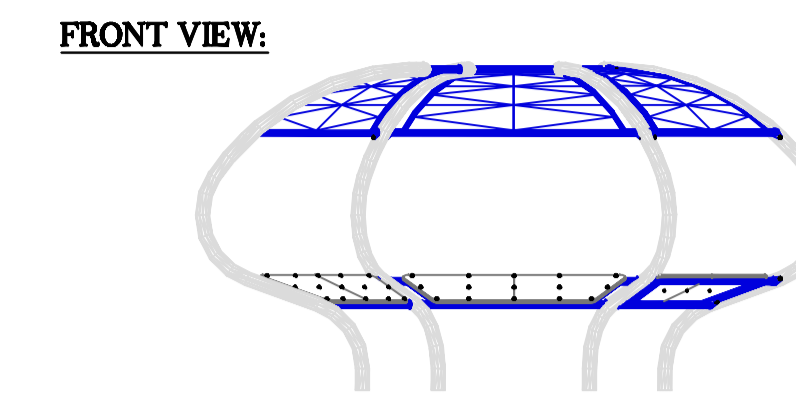
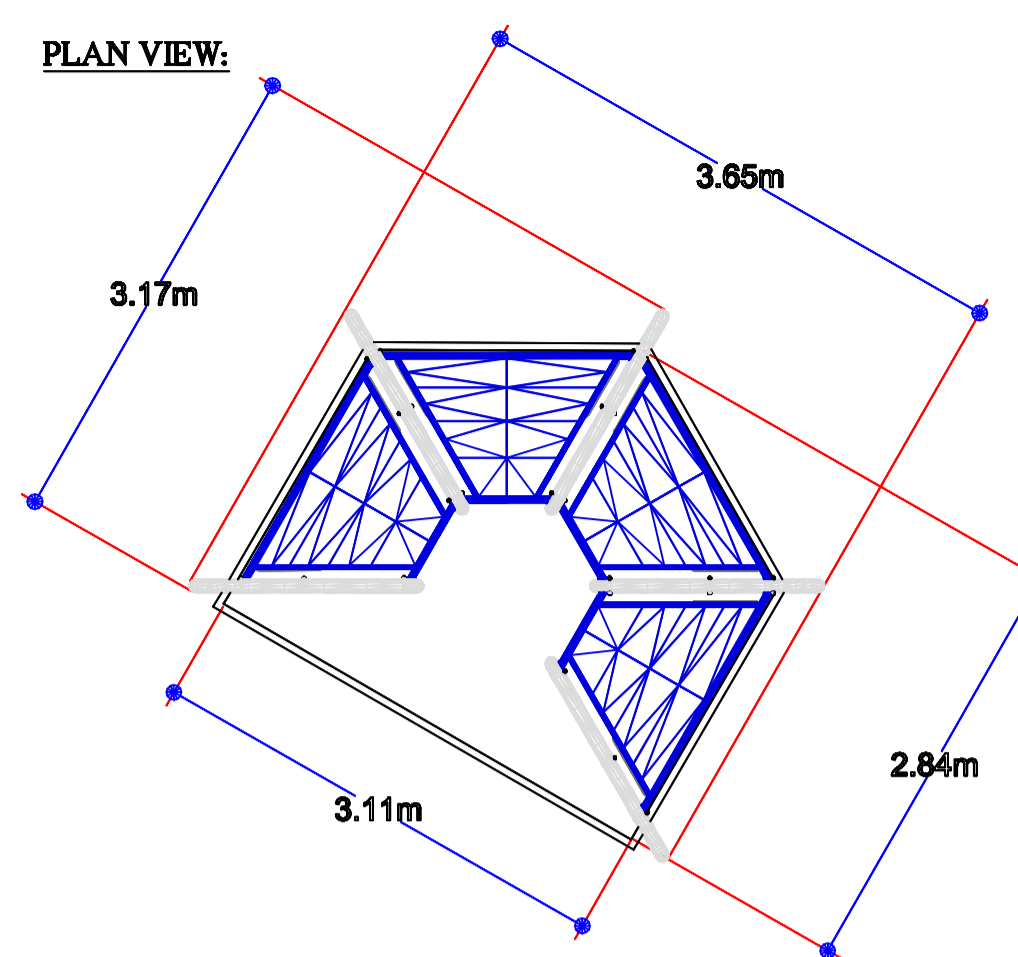
1 SECTION MEETING POINT (MPSEATP1)



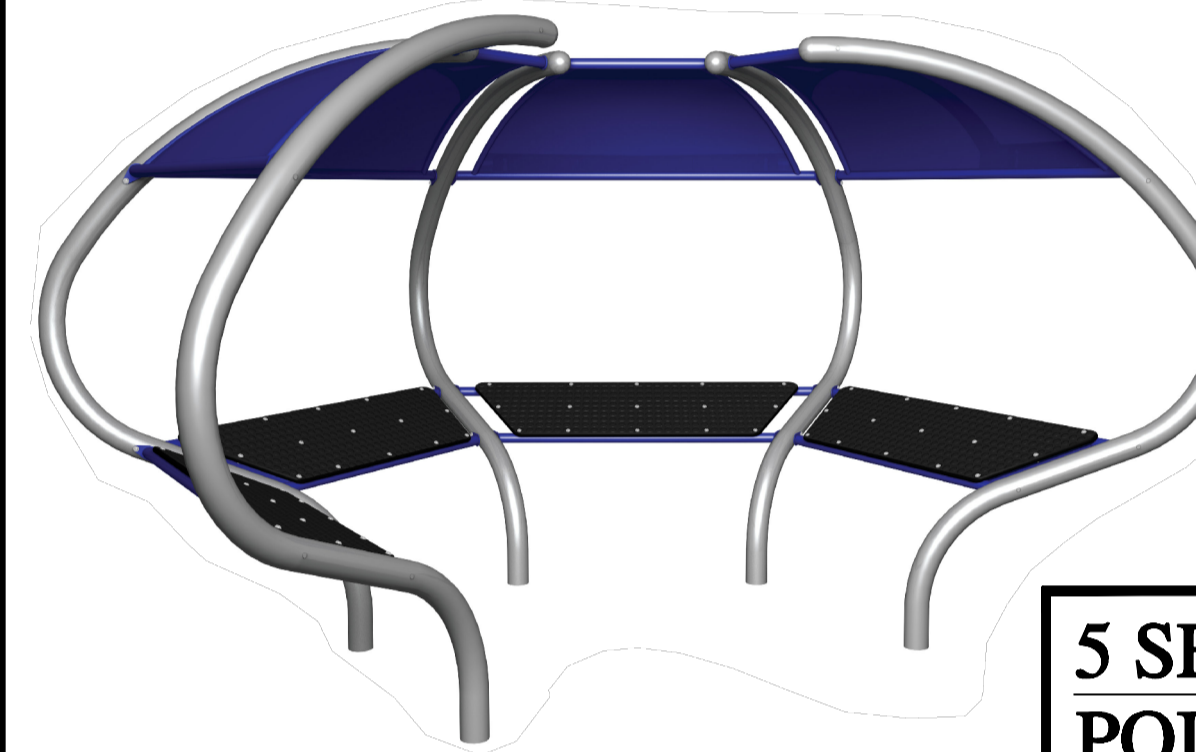
SUGGESTED MINIMUM TARMAC AREA - 3 Sq. Mtrs.
P.C.C. EDGING - 8 Mtrs.



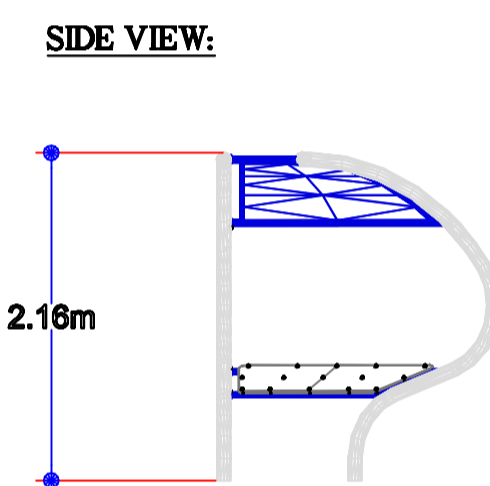
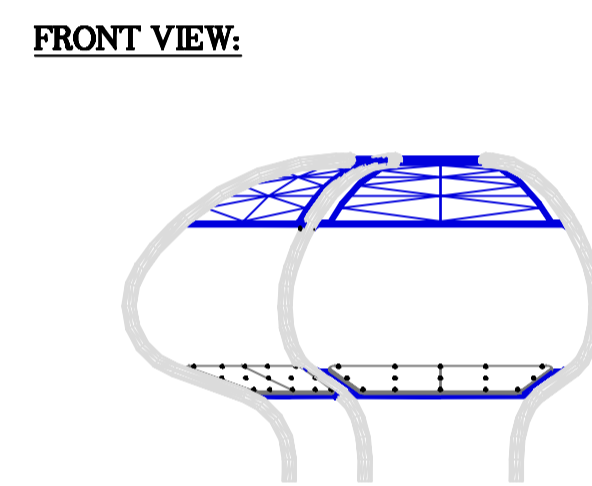
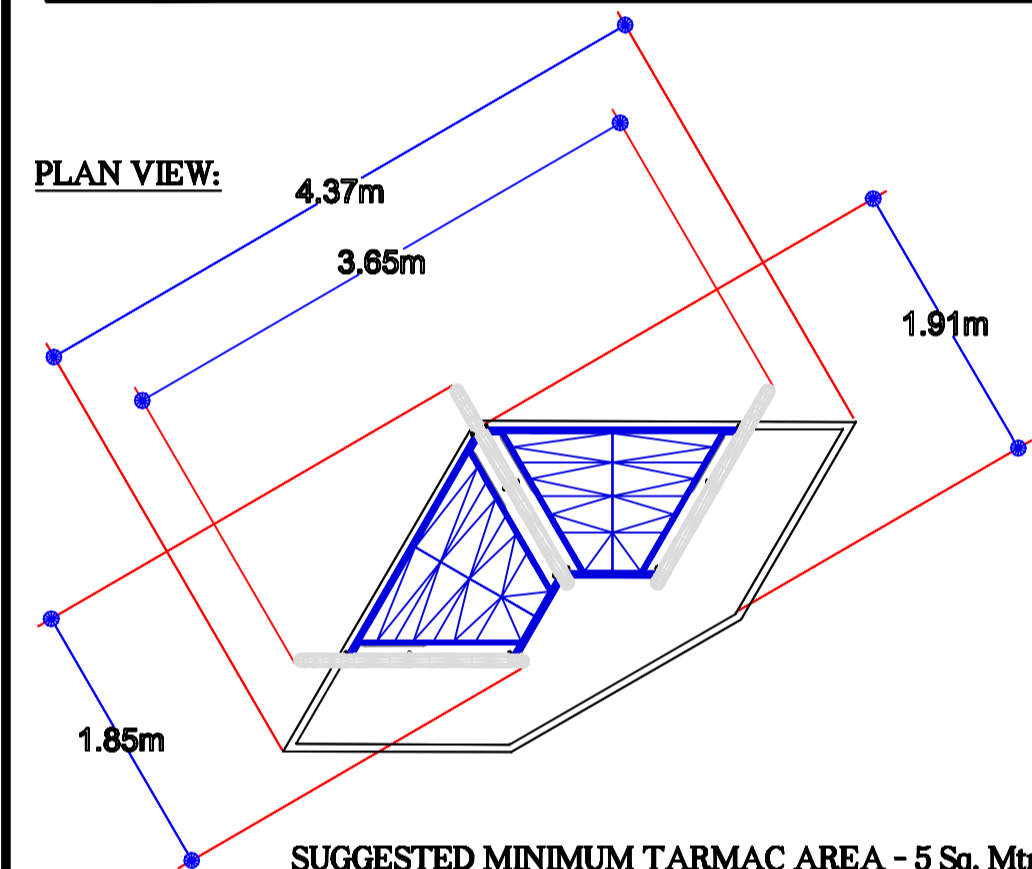
4 SECTION MEETING POINT (MPSEATP4)



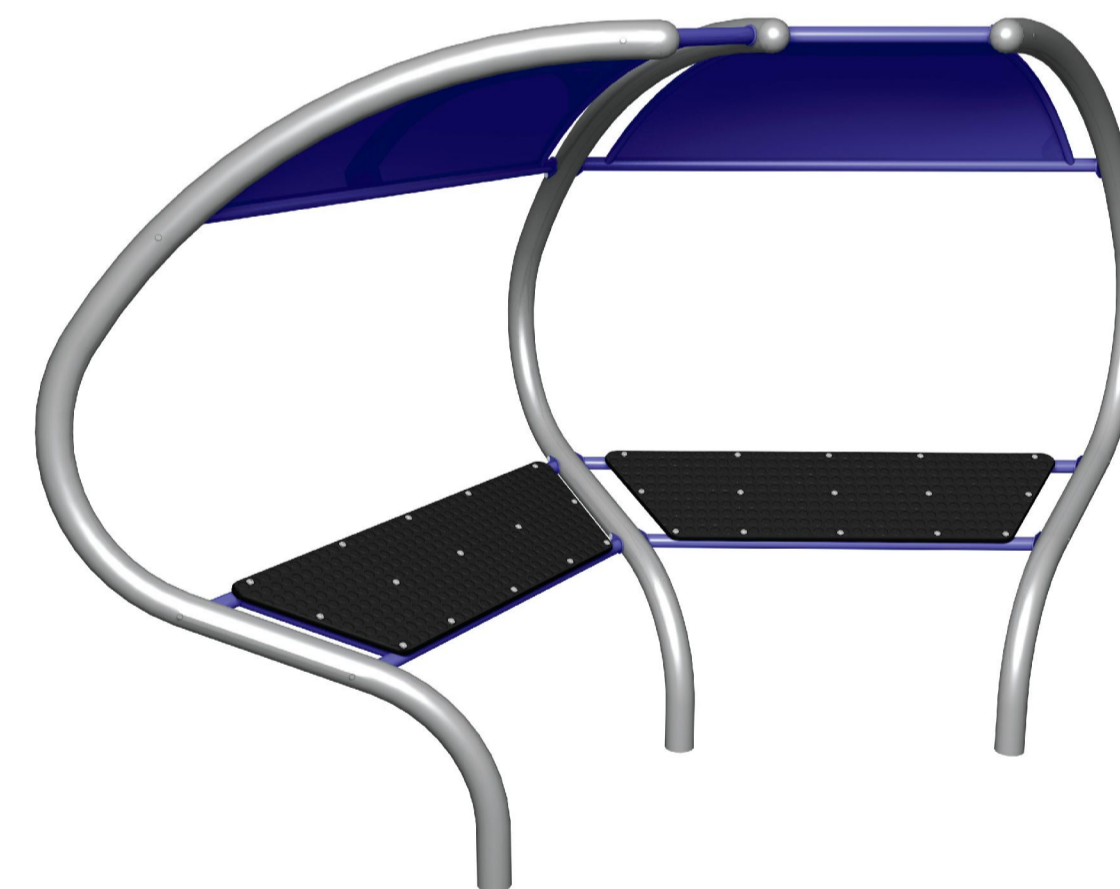
SUGGESTED MINIMUM TARMAC AREA - 7.5 Sq. Mtrs.
P.C.C. EDGING - 11 Mtrs.



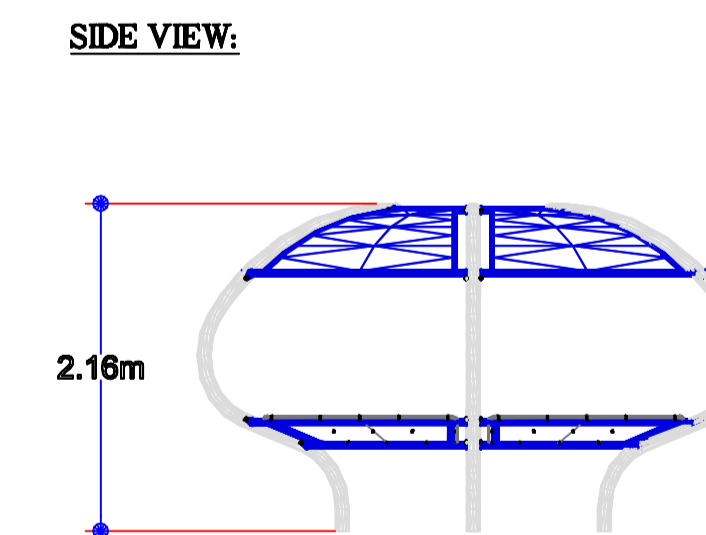
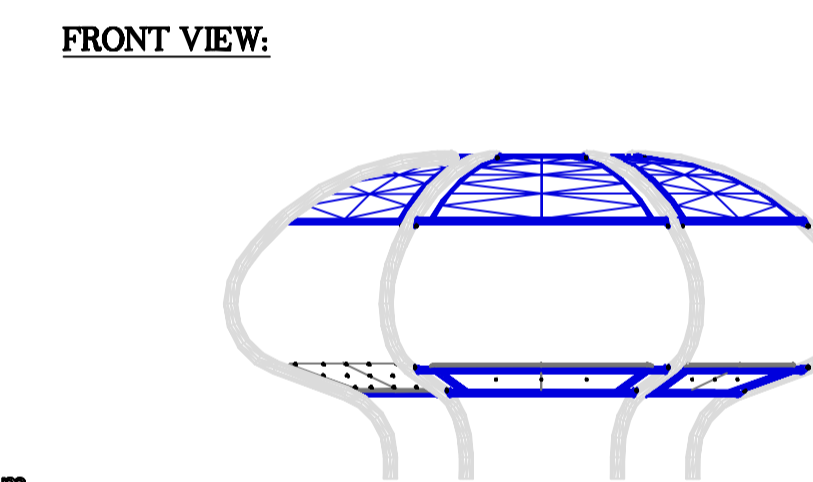
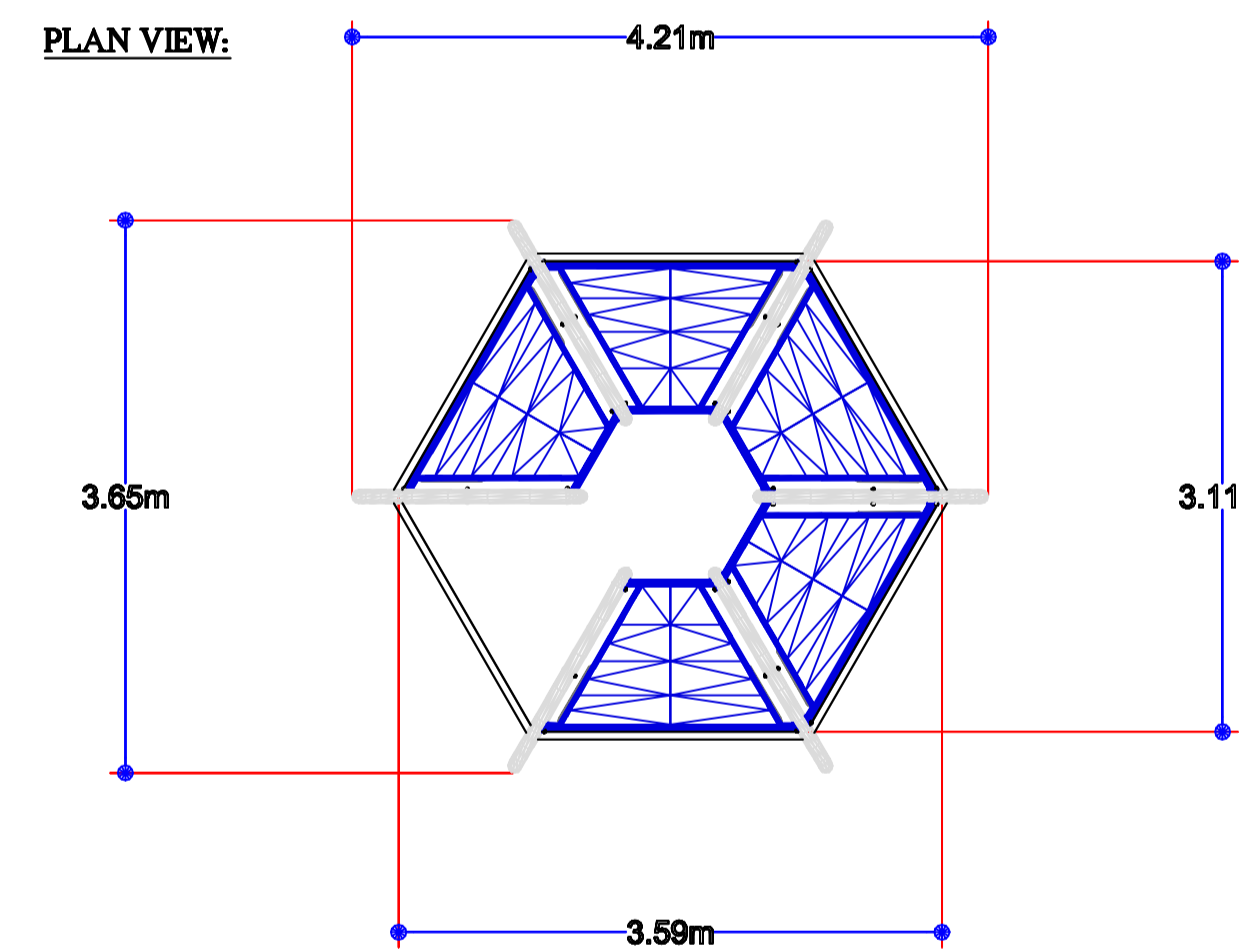
2 SECTION MEETING POINT (MPSEATP2)



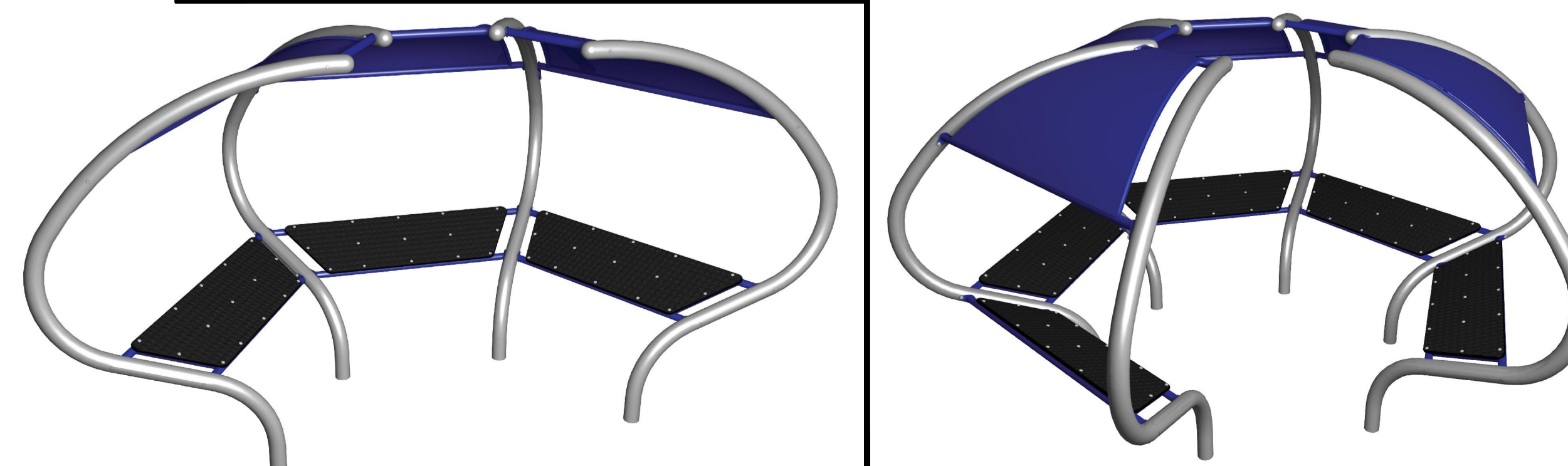
SUGGESTED MINIMUM TARMAC AREA - 5 Sq. Mtrs.
P.C.C. EDGING - 10 Mtrs.



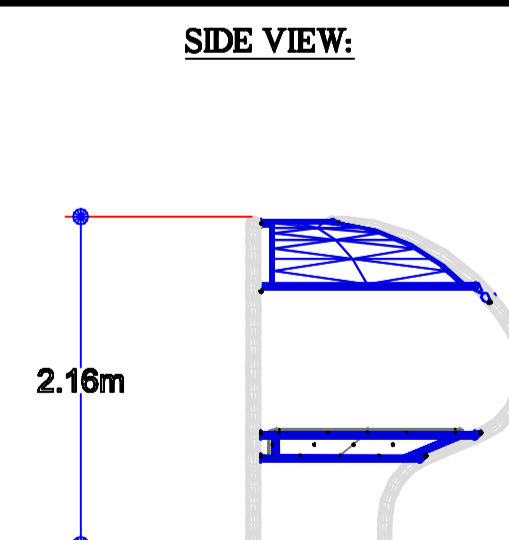
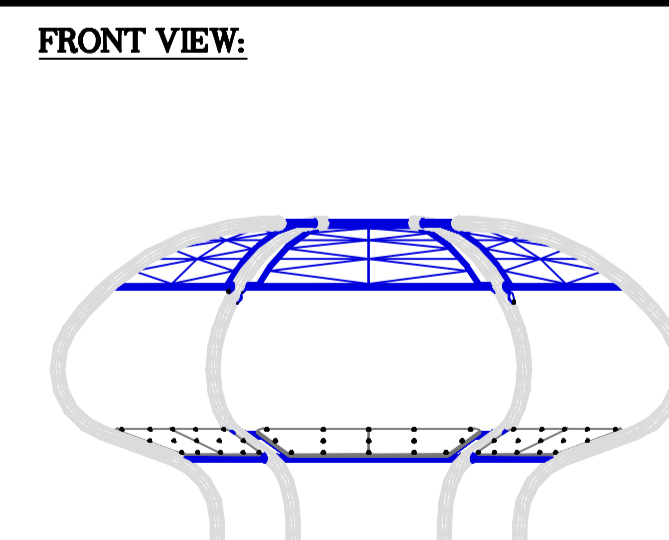
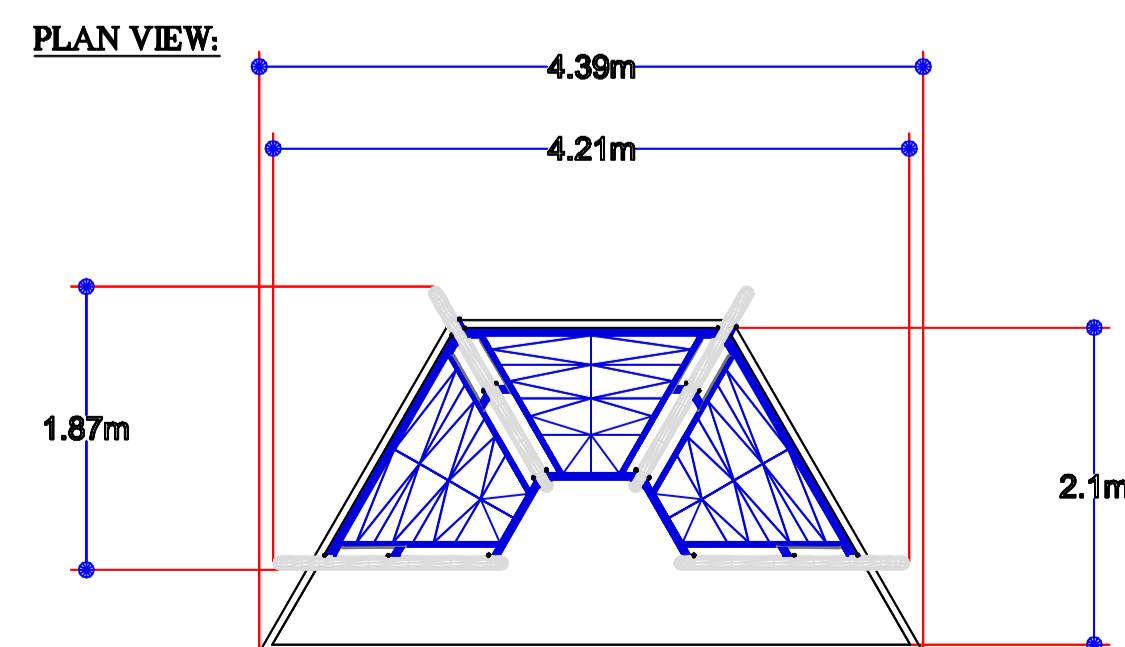
5 SECTION MEETING POINT (MPSEATP5)



SUGGESTED MINIMUM TARMAC AREA - 8.5 Sq. Mtrs.
P.C.C. EDGING - 11.5 Mtrs.



3 SECTION MEETING POINT (MPSEATP3)



SUGGESTED MINIMUM TARMAC AREA - 6.5 Sq. Mtrs.
P.C.C. EDGING - 11.5 Mtrs.

NOTES



REVISION

CUSTOMER

PROJECT

TITLE

ARENA MEETING POINTS
POLY SEAT OPTION



SMP (Playgrounds) Ltd
Ten Acre Lane
Thorpe, Egham
Surrey
TW20 8RU
United Kingdom
Telephone
+44 (0) 1784 489100
Facsimile
+44 (0) 1784 431079
email: sales@smp.co.uk
Website: www.smp.co.uk

SMP RECOMMEND THE PROVISION OF IMPACT ABSORBING SURFACING BENEATH ALL PLAY EQUIPMENT

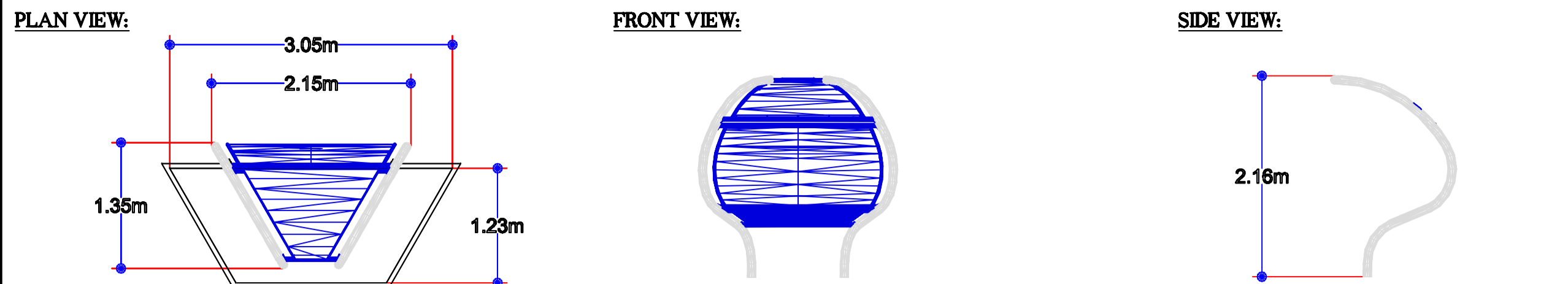


DATE 26/01/98 SCALE 1:50
DRAWN BY : J.B. CHECKED BY : J.C.

DRAWING No. 20370 ISSUE E

© SMP (Playgrounds) Ltd. 2002 SHEET 2 OF 3

1 SECTION MEETING POINT (MPSEATS1) + BACK PANELS (MPBACK)

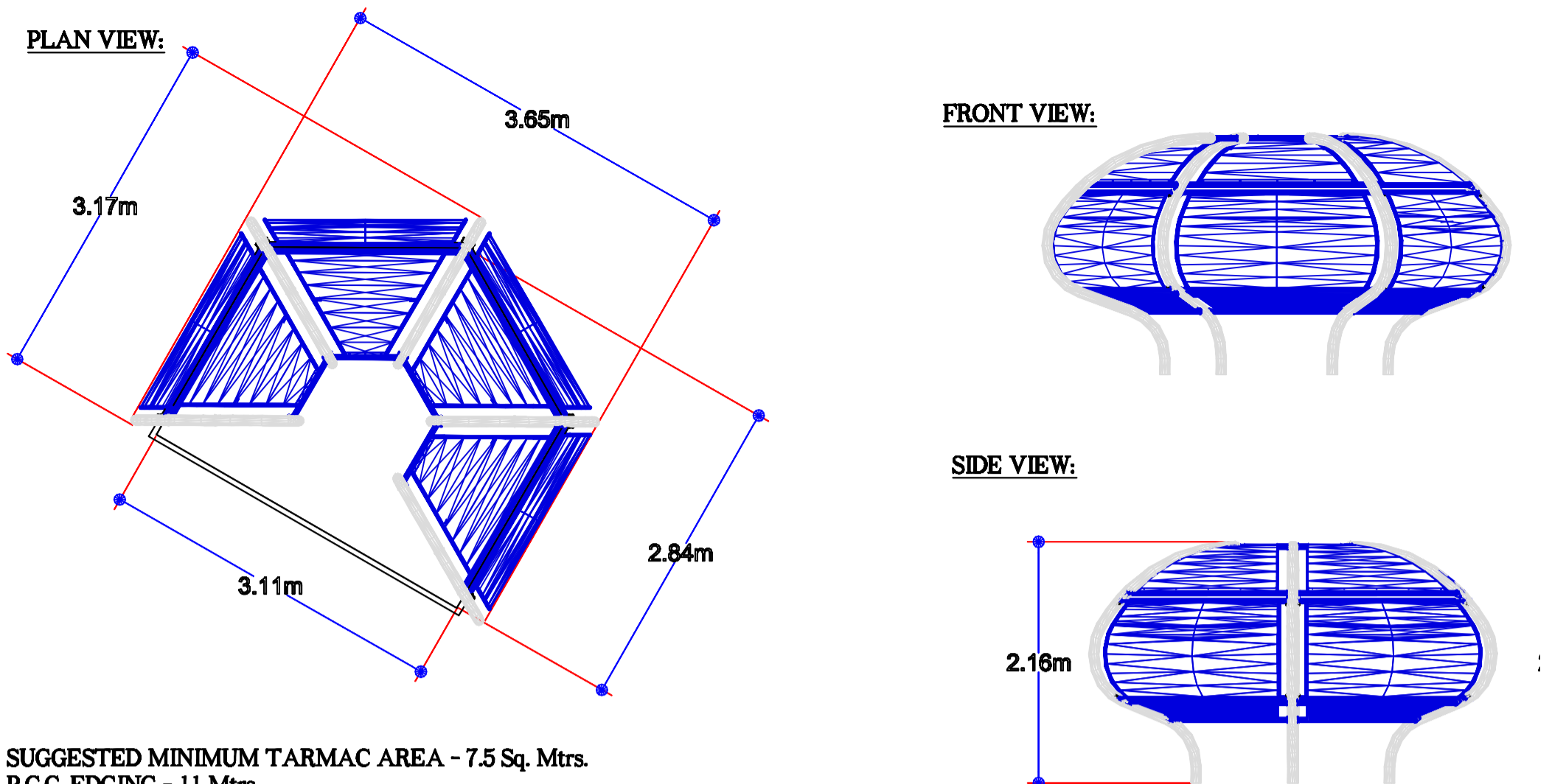


SUGGESTED MINIMUM TARMAC AREA - 3 Sq. Mtrs.
P.C.C. EDGING - 8 Mtrs.



STEEL SEAT MEETING POINT IS SHOWN (MPSEATS1) + BACK PANEL (MPBACK)
MEETING POINT IS ALSO AVAILABLE WITH POLY SEAT (MPSEATP1) + BACK PANEL (MPBACK)

4 SECTION MEETING POINT (MPSEATS4) + BACK PANELS (MPBACK)

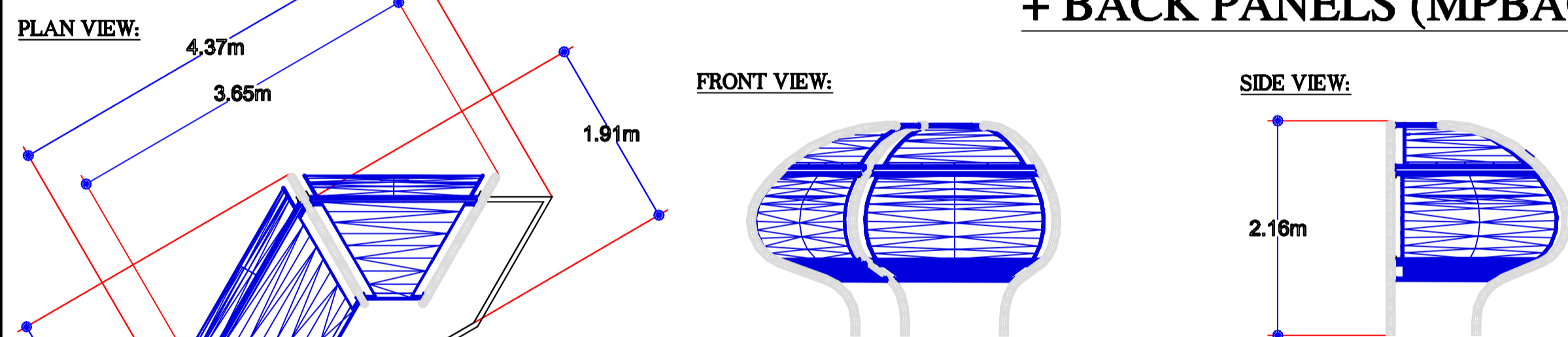


SUGGESTED MINIMUM TARMAC AREA - 7.5 Sq. Mtrs.
P.C.C. EDGING - 11 Mtrs.



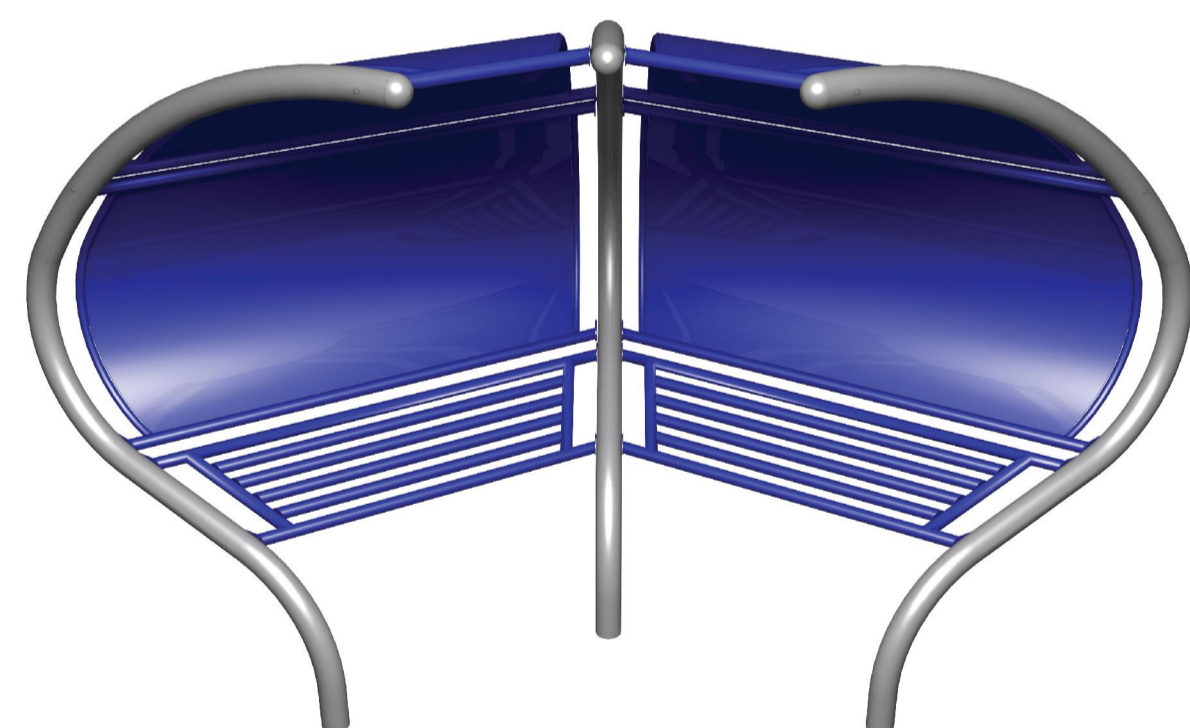
STEEL SEAT MEETING POINT IS SHOWN (MPSEATS4) + BACK PANEL (MPBACK)
MEETING POINT IS ALSO AVAILABLE WITH POLY SEAT (MPSEATP4) + BACK PANEL (MPBACK)

2 SECTION MEETING POINT (MPSEATS2) + BACK PANELS (MPBACK)

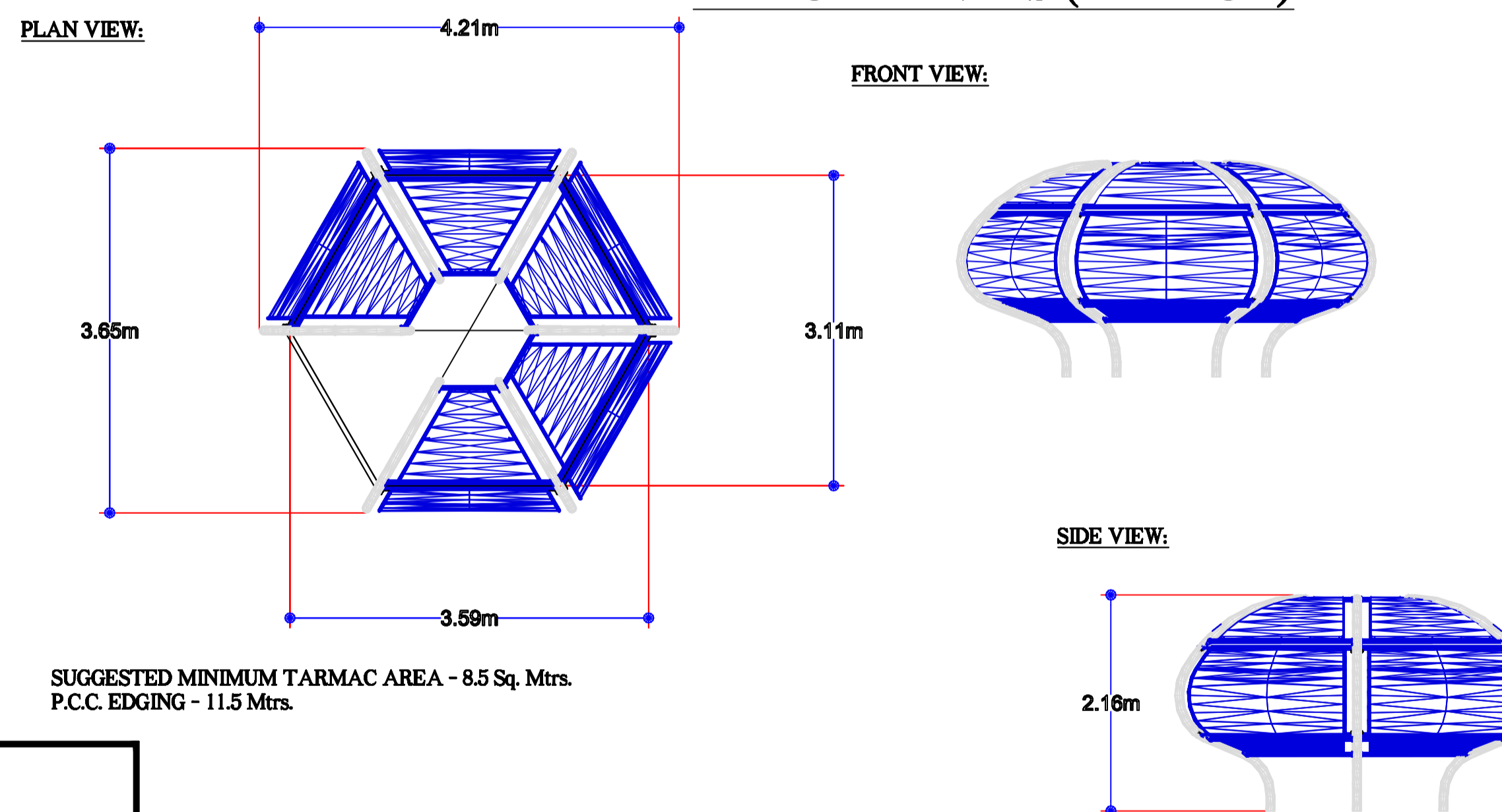


SUGGESTED MINIMUM TARMAC AREA - 5 Sq. Mtrs.
P.C.C. EDGING - 10 Mtrs.

STEEL SEAT MEETING POINT IS SHOWN (MPSEATS2) + BACK PANEL (MPBACK)
MEETING POINT IS ALSO AVAILABLE WITH POLY SEAT (MPSEATP2) + BACK PANEL (MPBACK)

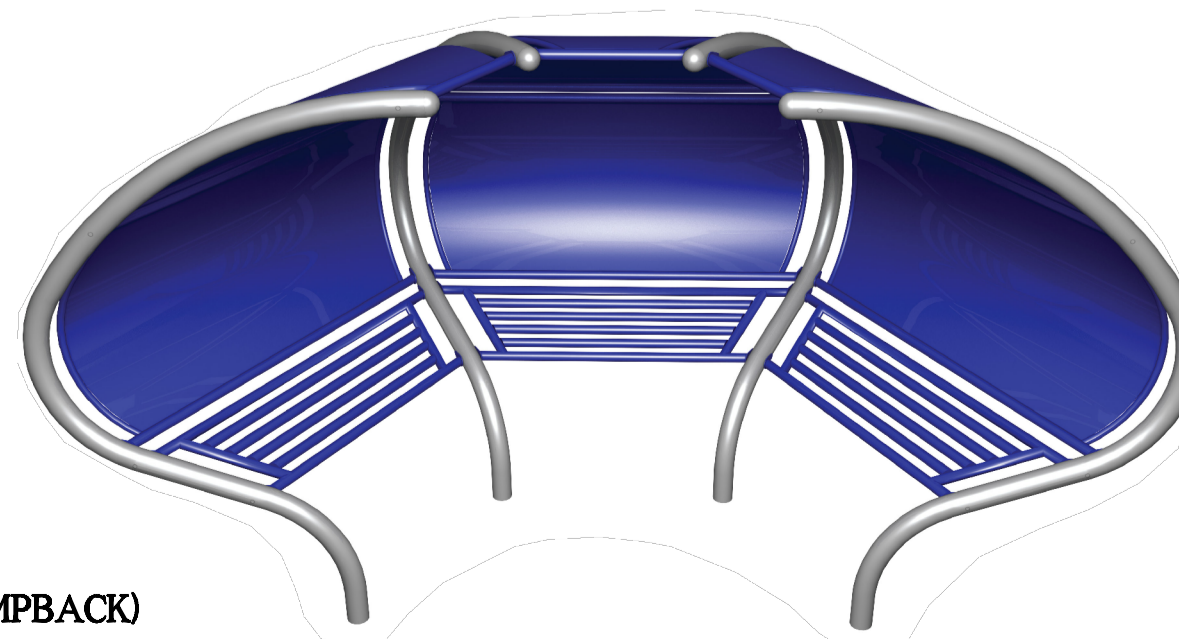


5 SECTION MEETING POINT (MPSEATS5) + BACK PANELS (MPBACK)

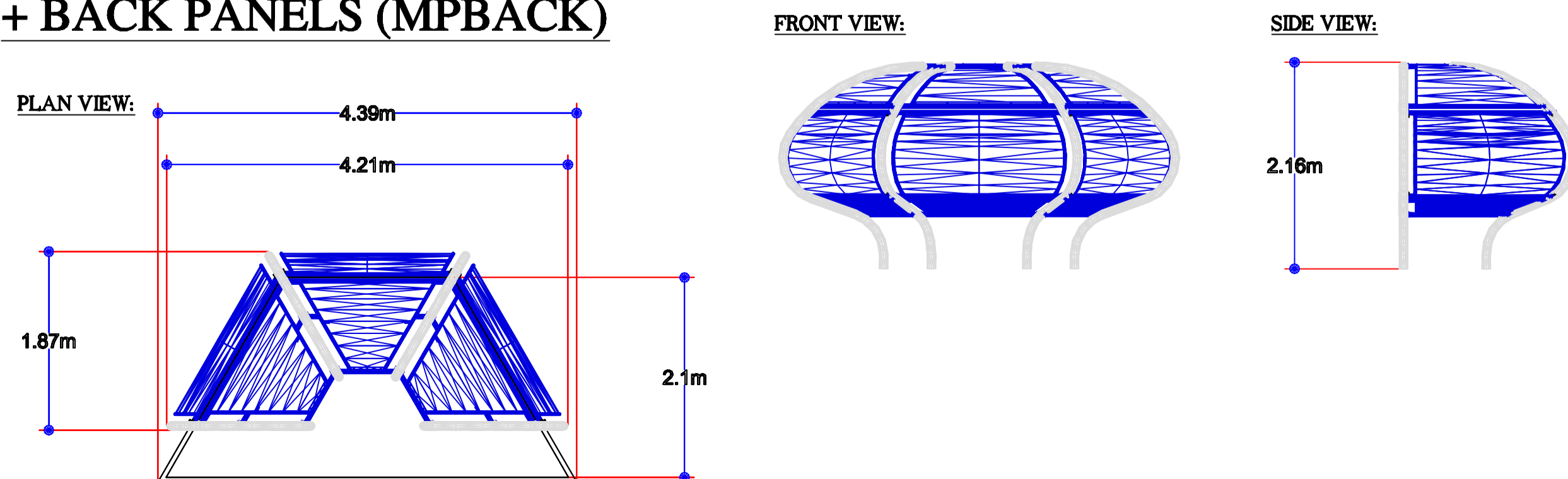


SUGGESTED MINIMUM TARMAC AREA - 8.5 Sq. Mtrs.
P.C.C. EDGING - 11.5 Mtrs.

STEEL SEAT MEETING POINT IS SHOWN (MPSEATS5) + BACK PANEL (MPBACK)
MEETING POINT IS ALSO AVAILABLE WITH POLY SEAT (MPSEATP5) + BACK PANEL (MPBACK)

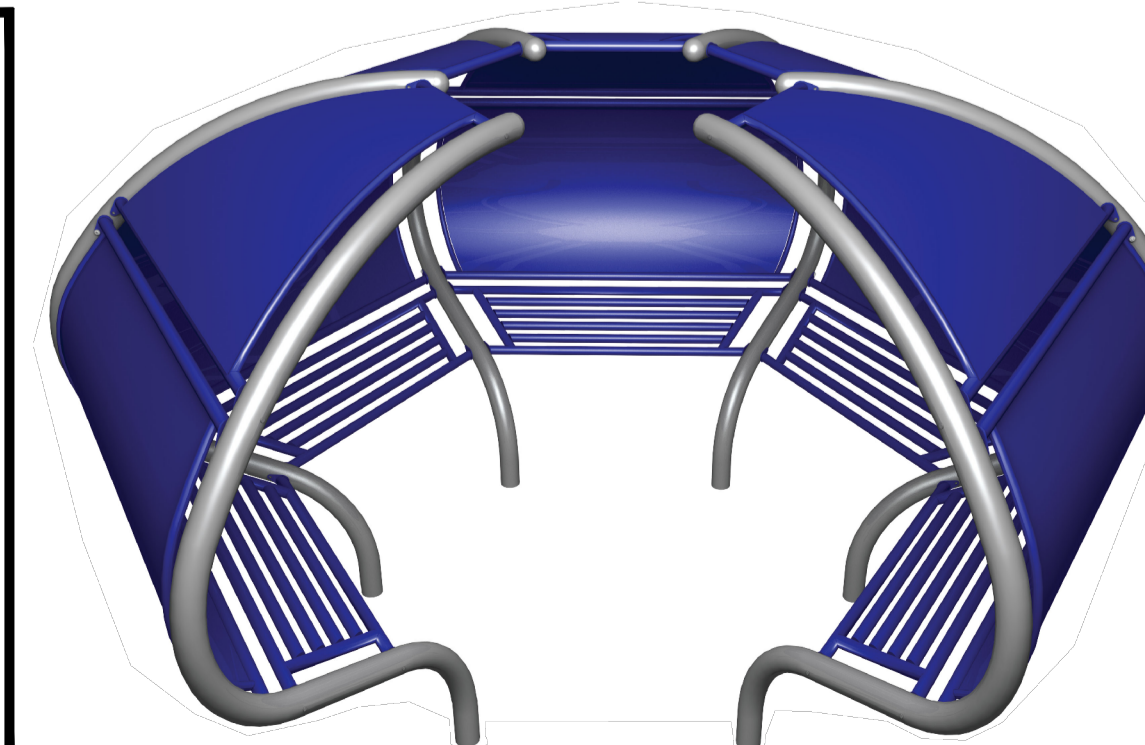


3 SECTION MEETING POINT (MPSEATS3) + BACK PANELS (MPBACK)



SUGGESTED MINIMUM TARMAC AREA - 6.5 Sq. Mtrs.
P.C.C. EDGING - 11.5 Mtrs.

STEEL SEAT MEETING POINT IS SHOWN (MPSEATS3) + BACK PANEL (MPBACK)
MEETING POINT IS ALSO AVAILABLE WITH POLY SEAT (MPSEATP3) + BACK PANEL (MPBACK)



NOTES



REVISION

CUSTOMER

PROJECT

TITLE

ARENA MEETING POINTS
OPTIONAL BACK PANELS



SMP (Playgrounds) Ltd
Ten Acre Lane
Thorpe, Egham
Surrey
TW20 8RQ
United Kingdom
Telephone
+44 (0) 1784 489100
Facetside
+44 (0) 1784 431079
email: sales@smp.co.uk
Website: www.smp.co.uk

SMP RECOMMEND THE PROVISION OF IMPACT ABSORBING SURFACING BENEATH ALL PLAY EQUIPMENT



DATE 26/01/98 SCALE 1:50
DRAWN BY: J.B. CHECKED BY: J.C.

DRAWING No. 20370 ISSUE E

© SMP (Playgrounds) Ltd. 2002 SHEET 3 OF 3